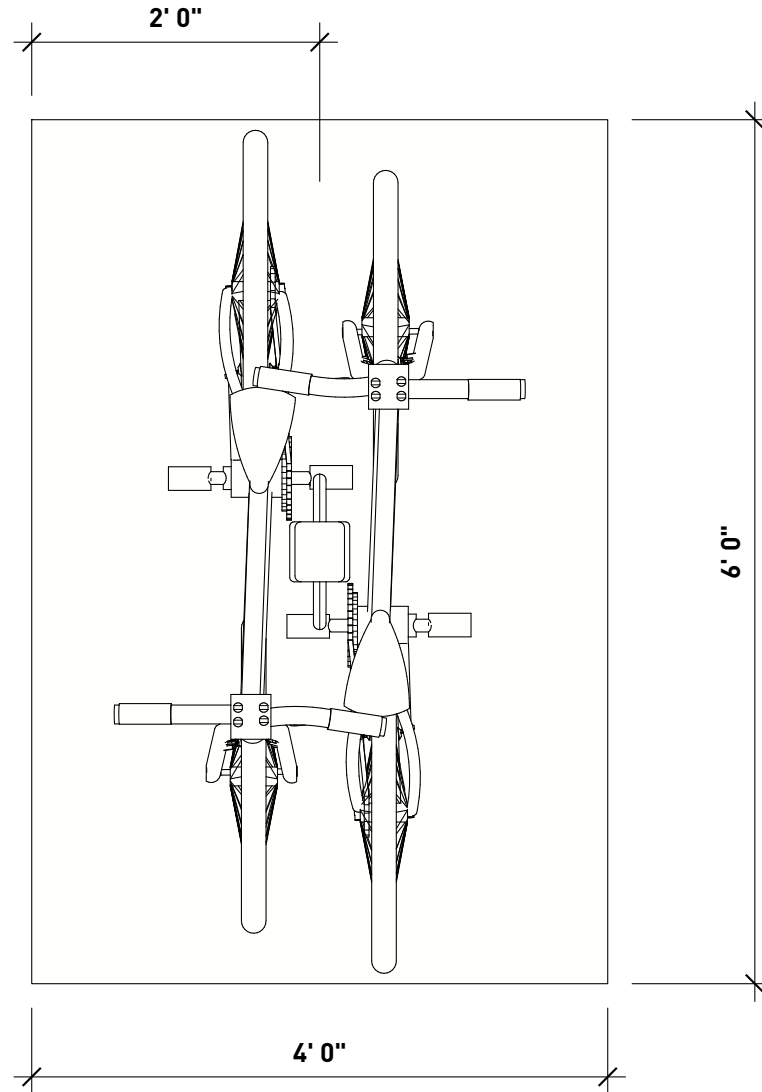



Hoop or Bollard Bicycle Racks

Installing these racks requires a 4 foot by 6 foot area to ensure cyclists can move their bikes to and from the rack without coming into contact with obstacles. - City of Vancouver Bicycle Parking Standards and Guidelines



Please contact your local government before installation.

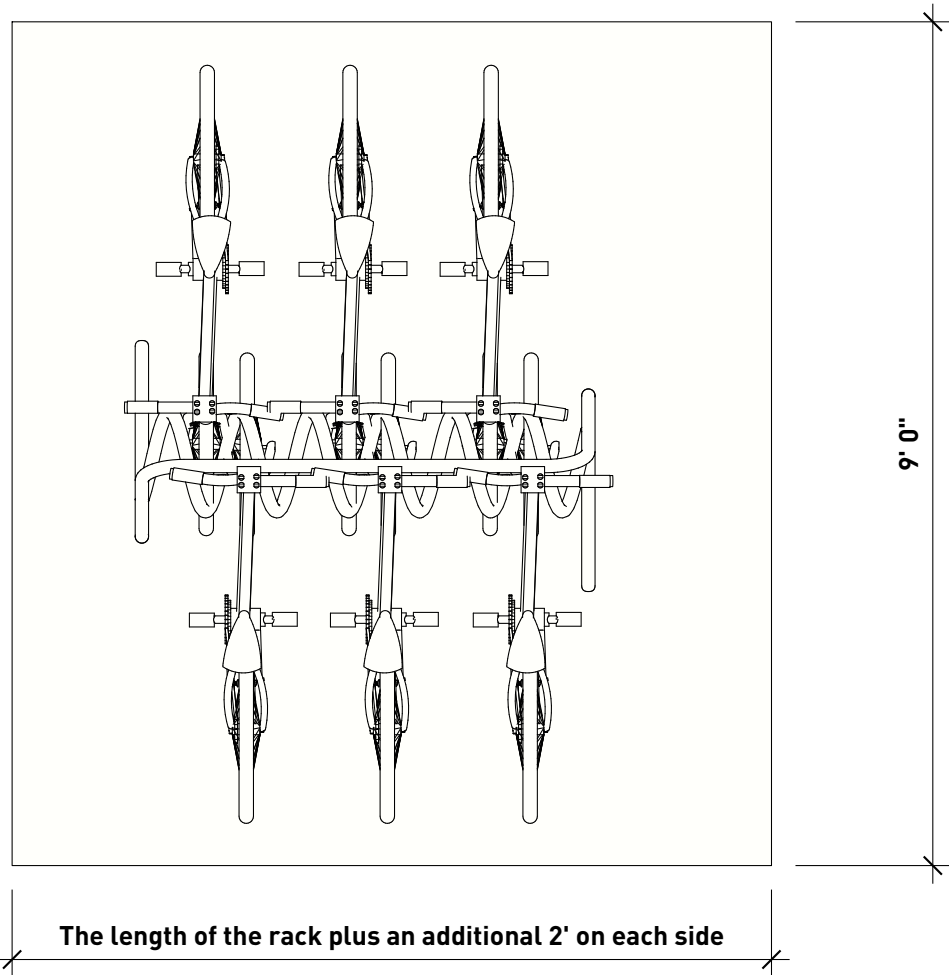
	WISHBONE SITE FURNISHINGS LTD 210-27090 GLOUCESTER WAY LANGLEY, BC			
	DWG. TITLE: Hoop or Bollard Bicycle Racks REVISION: 26/11/19 R:00			
MATERIAL: ALUMINUM	DWG. NO. DWSBBR26111900	DRAWN BY: JAMES NEDEN		
PATTERN NO. N/A	MODEL NO.	SCALE: 1:16	SHEET: 1 OF 3	DATE: 26 NOV 19

Spiral or Freestanding Bicycle Racks


Bicycles parked on both sides of the rack:

Whether one or both sides of the rack will be used determines what amount of clearance space around the rack is necessary.

- City of Vancouver Bicycle Parking Standards and Guidelines



Please contact your local government before installation.

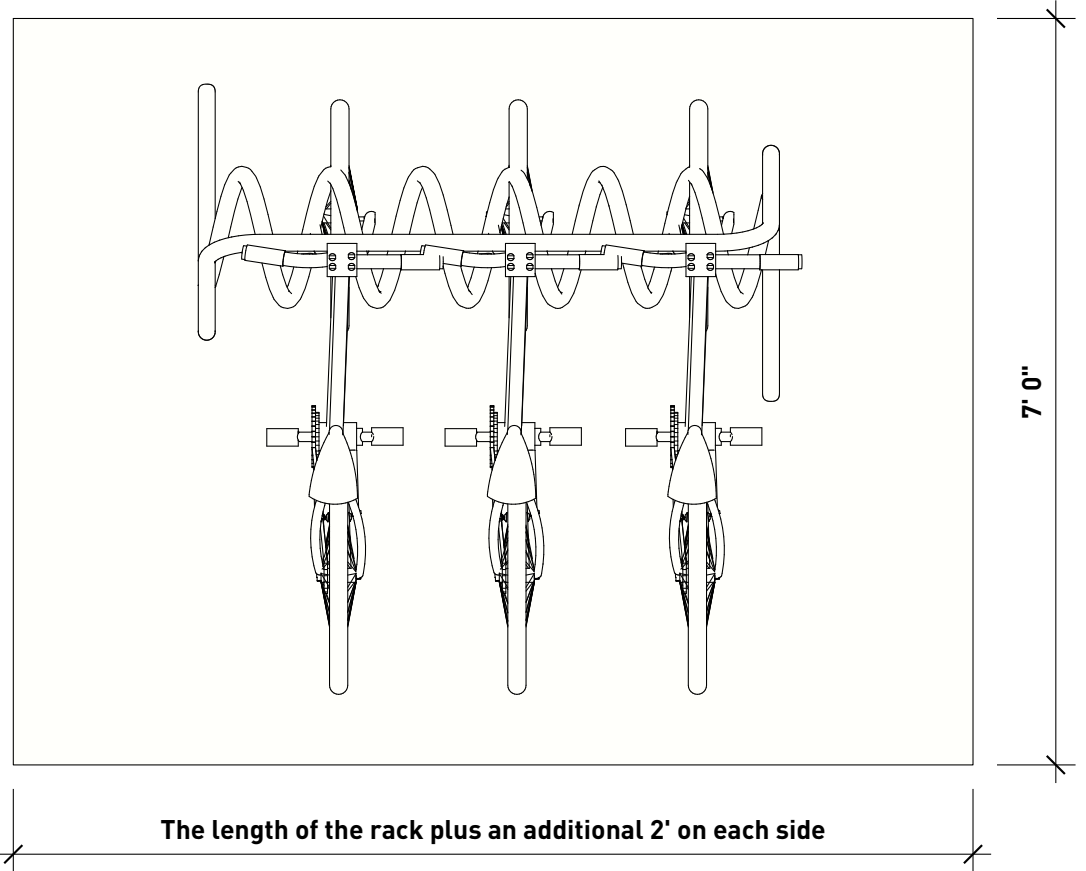
	WISHBONE SITE FURNISHINGS LTD 210-27090 GLOUCESTER WAY LANGLEY, BC			
	DWG. TITLE: Spiral or Freestanding Bicycle Racks REVISION: 26/11/19 R:00			
MATERIAL: ALUMINUM	DWG. NO. DWSBBR26111900	DRAWN BY: JAMES NEDEN		
PATTERN NO. N/A	MODEL NO.	SCALE: 1:16	SHEET: 1 OF 3	DATE: 26 NOV 19

Spiral or Freestanding Bicycle Racks


Bicycles on one side of the rack:

Whether one or both sides of the rack will be used determines what amount of clearance space around the rack is necessary.

- City of Vancouver Bicycle Parking Standards and Guidelines



Please contact your local government before installation.

	WISHBONE SITE FURNISHINGS LTD 210-27090 GLOUCESTER WAY LANGLEY, BC			
	DWG. TITLE: Spiral or Freestanding Bicycle Racks REVISION: 26/11/19 R:00			
MATERIAL: ALUMINUM	DWG. NO. DWSBBR26111900	DRAWN BY: JAMES NEDEN		
PATTERN NO. N/A	MODEL NO.	SCALE: 1:16	SHEET: 1 OF 3	DATE: 26 NOV 19